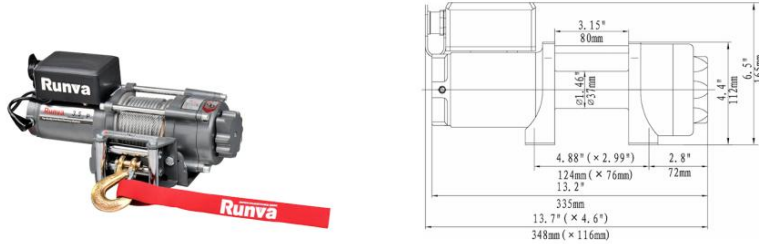


12 V Electric winches for ATV-UTV EP3500, capacity 1588 kg, wire rope



Electric winches for vehicle such as quad and other ATV-UTV. Capacity 1588 kg. Model with wire rope.

Use:

- Pulling only. For any maneuver on an inclined plane, the effort to be developed must be increased.
- Small 4x4
- Quads.
- ATV/UTV...

Technical properties

- 1 stage steel planetary reducer.
- Patented manual cam declutch.
- Automatic brake.
- 12 V motor.
- 2.6 m pendant control.
- Model with wire rope. Model with textile rope exists.
- Nylon safety strap for safer handling of the wire rope and hook.
- Roller fairlead.
- Supplied with mouting plate, wire rope and hook.

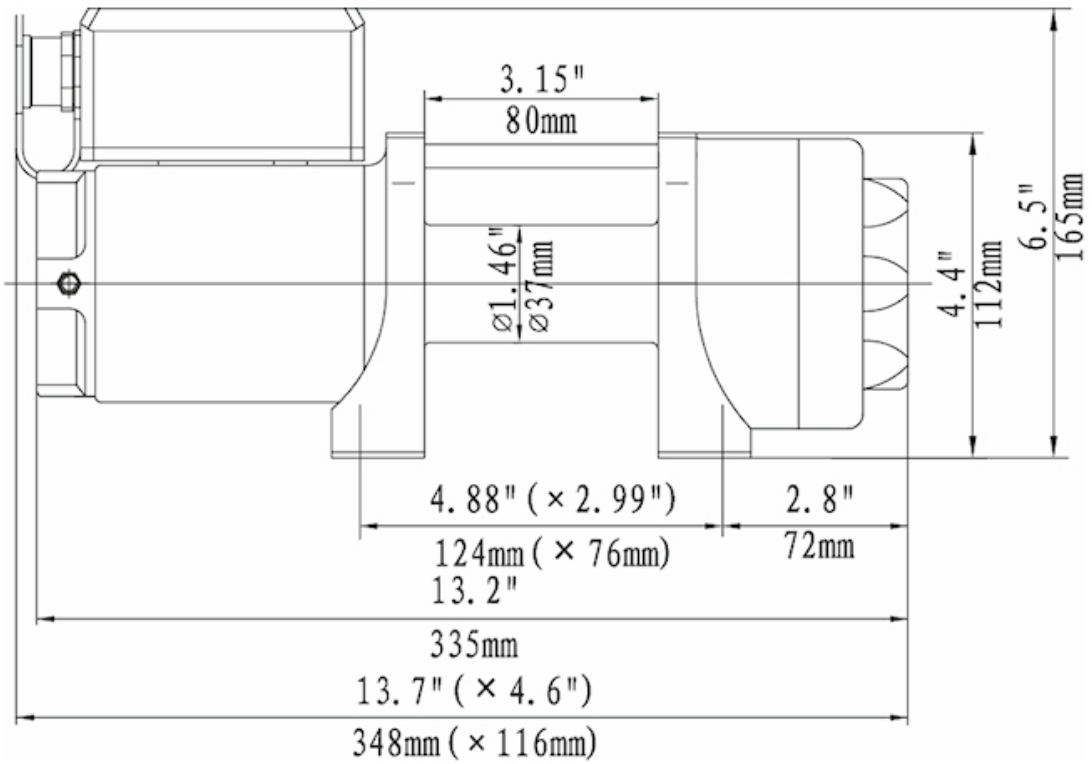
Technical characteristics of 12 V Electric winches for ATV-UTV EP3500, capacity 1588 kg, wire rope

References	EP3500U12VA
Capacity 1st layer kg	1588
Capacity top layer kg	786
Motor kW	2.4
Rope length supplied with the winch m	12.8
Rope Ø supplied with the winch mm	5.4
Speed on 1st layer at nominal load m/min	1.4
Speed on 1st layer without load m/min	3.2
Amps 1st layer at nominal load	200
Amps 1st layer without load	20

Weight kg	10
-----------	----

Dimensions

References	EP3500U12VA
h mm	165
L mm	348
P mm	116



Technical characteristics of the other models of the range

References	EP3500U12VA	EP3500U12VT	EP4500U12VA	EP4500U12VT
Capacity 1st layer kg	1588	1588	2041	2041
Capacity top layer kg	786	786	1319	1319
Motor kW	2.4	2.4	2.5	2.5
Rope length supplied with the winch m	12.8	15	14.5	15
Rope Ø supplied with the winch mm	5.4	5	6	6
Speed on 1st layer at nominal load m/min	1.4	1.4	1.4	1.4
Speed on 1st layer without load m/min	3.2	3.2	3.9	3.9
Amps 1st layer at nominal load	200	200	220	220
Amps 1st layer without load	20	20	28	28
Weight kg	10	10	15.5	15.5



HUCHEZ's advice

Electric winches for vehicle. Pulling only. Nylon safety strap for safer handling of the rope and hook.



HUCHEZ
4, rue Michel HAMMID
60420 FERRIERES – France
+33 (0) 3 44 51 11 33
www.huchez.com
contact@huchez.fr



SERVICE CLIENTS
ATENCIO AL CLIENTE
KUNDENSERVICE



Pour en savoir plus, n'hésitez pas à nous contacter!
To know more, please contact us!
Para más información, póngase en contacto con nosotros!
Für weitere Informationen können Sie sich gerne an uns wenden!