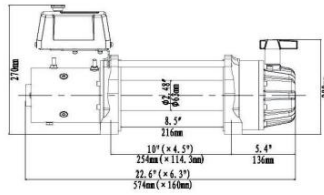


## 12 V electric winches for 4x4 EB9500, capacity 4309 kg, wire rope



12 V electric winches for 4x4, trailers, utilities. Capacity: 4309 kg. Model with wire rope.

Use:

- Only for pulling/hauling operations. For any maneuver on an inclined plane, the effort to be developed must be increased.
- Medium 4x4
- Heavy Equipment trailer to transport shovels, bulldozers?
- Vehicle recovery : large trailers or occasional breakdown assistance
- Utilities...

### Technical properties

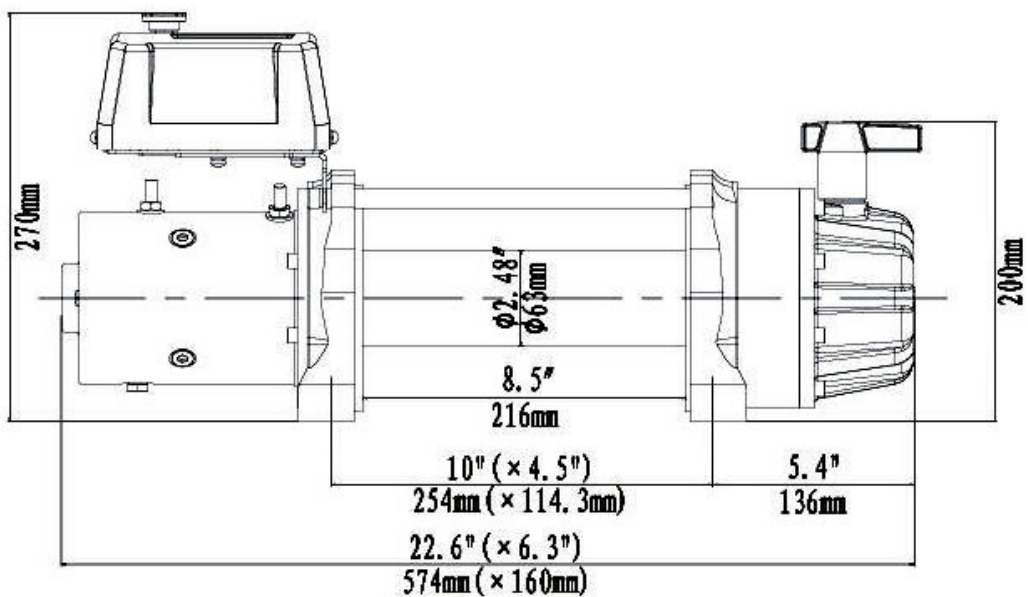
- IP67 model.
- 12 V motor for use in all weathers.
- Stainless steel manual disengaging handle.
- Patented 3 stage planetary reducer.
- Stainless steel external screws.
- Anti-heating brake to prevent wear in the wire rope in case of prolonged use.
- Control relay in waterproof box.
- High efficiency transmission (9 m/min winding).
- 3.9 m long high resistance rubber pendant control.
- Over-voltage protection to safe use of the winch.
- Model with textile rope. Model with wire rope exists.
- Nylon safety stop for safer handling of the wire rope and hook.
- Roller fairlead.
- Supplied with mounting plate, wire rope and hook.

## Technical characteristics of 12 V electric winches for 4x4 EB9500, capacity 4309 kg, wire rope

References	EB9500U12VA
Capacity 1st layer kg	4309
Capacity top layer kg	2537
Motor kW	4.6
Rope length supplied with the winch m	26
Rope Ø supplied with the winch mm	9.2
Speed on 1st layer at nominal load m/min	2
Speed on 1st layer without load m/min	9.8
Amps 1st layer at nominal load	380
Amps 1st layer without load	75
Weight kg	37.5

## Dimensions

References	EB9500U12VA
h mm	254
L mm	574
P mm	160



## Technical characteristics of the other models of the range

References	EB12500U24VA	EB12500U12VA	EB9500U24VA	EB9500U24VT	EB9500U12VA
Capacity 1st layer kg	5670	5670	4309	4309	<b>4309</b>
Capacity top layer kg	3088	3088	2537	2537	<b>2537</b>
Motor kW	4.8	5.9	6.5	4.6	<b>4.6</b>
Rope length supplied with the winch m	25.5	25.5	26	25	<b>26</b>
Rope Ø supplied with the winch mm	10.2	10.2	9.2	9	<b>9.2</b>
Speed on 1st layer at nominal load m/min	1.6	1.6	2.8	2.8	<b>2</b>
Speed on 1st layer without load m/min	10	10	10.5	10.5	<b>9.8</b>
Amps 1st layer at nominal load	200	490	270	270	<b>380</b>
Amps 1st layer without load	60	75	65	65	<b>75</b>
Weight kg	42.9	42.9	37.5	37.5	<b>37.5</b>

References	EB9500U12VT
Capacity 1st layer kg	4309
Capacity top layer kg	2537
Motor kW	4.6
Rope length supplied with the winch m	25
Rope Ø supplied with the winch mm	9
Speed on 1st layer at nominal load m/min	2
Speed on 1st layer without load m/min	9.8
Amps 1st layer at nominal load	380
Amps 1st layer without load	75
Weight kg	37.5



### HUCHEZ's advice

Electric winches for vehicle. Pulling only. Nylon safety strap for safer handling of the rope and hook.



HUCHEZ  
4, rue Michel HAMMID  
60420 FERRIERES – France  
+33 (0) 3 44 51 11 33  
www.huchez.com  
contact@huchez.fr



SERVICE CLIENTS  
ATENCIO AL CLIENTE  
KUNDENSERVICE



Pour en savoir plus, n'hésitez pas à nous contacter!  
To know more, please contact us!  
Para más información, póngase en contacto con nosotros!  
Für weitere Informationen können Sie sich gerne an uns wenden!