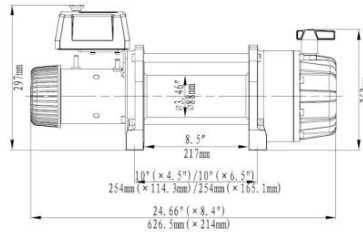


12 V electric winches for vehicle recovery EB20000, capacity 9072 kg, wire rope



12 V electric winches for vehicle recovery, rescue... All intermittent repair operations, towing, load transfers, stowage from a vehicle or a fixed point (tree, other vehicle?). Capacity: 9072 kg. Model with wire rope.

Use:

- Only for pulling/hauling operations. For any maneuver on an inclined plane, the effort to be developed must be increased.
- Trucks.
- Big 4x4.
- Vehicle recovery.
- Utilities...
- Car breakdown assistance.
- Off road vehicle.
- Army.
- Civil engineering firefighters.
- Civil protection.
- Farmers
- Breeders.
- Various handling...

Technical properties

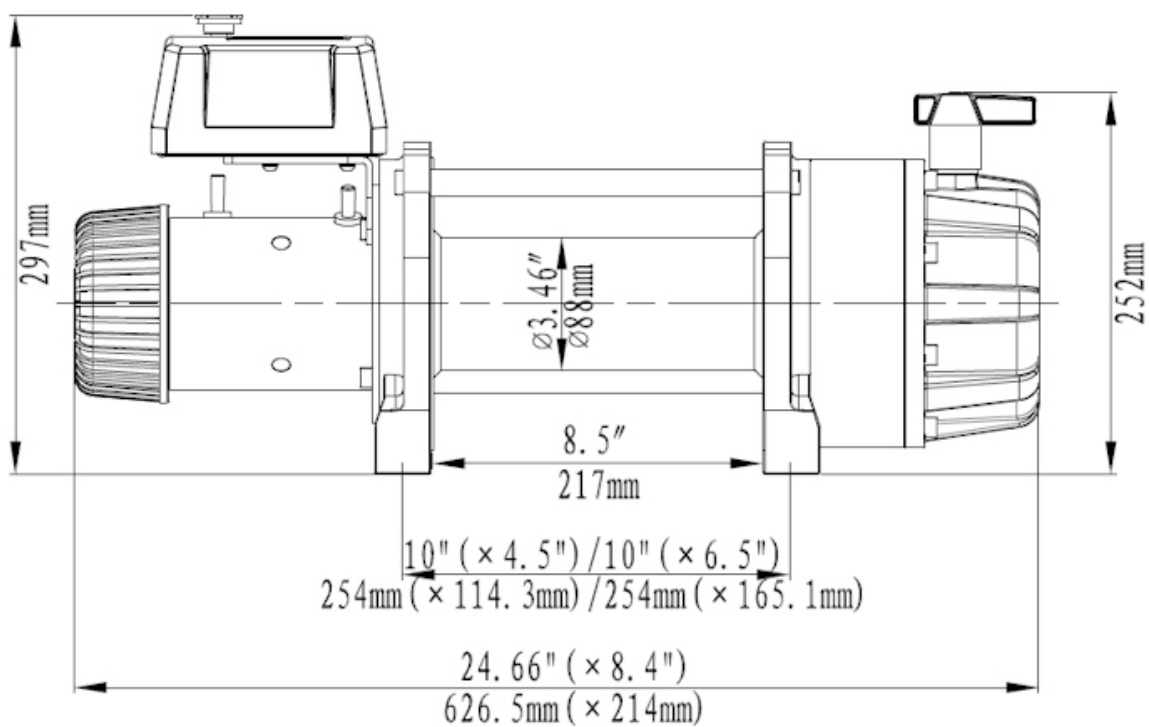
- Rugged steel construction.
- IP67 model.
- Model with 12 V motor for use in all weathers. Model with 24 V motor exists (wire rope or textile rope).
- Fast no-load speed (8.5 m/min).
- Anti-heating brake to prevent wear in the wire rope in the case of prolonged use.
- Patented 3 stage planetary reducer.
- Manual declutch.
- Nylon safety strap for safer handling of the wire rope and hook.
- Roller fairlead.
- 3.9 m long high resistance rubber pendant control.
- Supplied with mouting plate, wire rope and hook.

Technical characteristics of 12 V electric winches for vehicle recovery EB20000, capacity 9072 kg, wire rope

References	EB20000U12VA
Capacity 1st layer kg	9072
Capacity top layer kg	5274
Motor kW	5.5
Rope length supplied with the winch m	26.5
Rope Ø supplied with the winch mm	12
Speed on 1st layer at nominal load m/min	1.2
Speed on 1st layer without load m/min	8
Amps 1st layer at nominal load	430
Amps 1st layer without load	60
Weight kg	70

Dimensions

References	EB20000U12VA
h mm	297
L mm	626.5
P mm	214



Technical characteristics of the other models of the range

References	EB20000U24VT	EB20000U12VA	EB20000U24VA
Capacity 1st layer kg	9072	9072	9072
Capacity top layer kg	5274	5274	5274
Motor kW	6.1	5.5	6.1
Rope length supplied with the winch m	25	26.5	26.5
Rope Ø supplied with the winch mm	12	12	12
Speed on 1st layer at nominal load m/min	1.3	1.2	1.3
Speed on 1st layer without load m/min	8.4	8	8.4
Amps 1st layer at nominal load	253	430	253
Amps 1st layer without load	35	60	35
Weight kg	60	70	70



HUCHEZ's advice

Electric winches for vehicle. Pulling only. Nylon safety strap for safer handling of the rope and hook.



HUCHEZ
4, rue Michel HAMMID
60420 FERRIERES – France
+33 (0) 3 44 51 11 33
www.huchez.com
contact@huchez.fr



SERVICE CLIENTS
ATENCIO AL CLIENTE
KUNDENSERVICE



Pour en savoir plus, n'hésitez pas à nous contacter!
To know more, please contact us!
Para más información, póngase en contacto con nosotros!
Für weitere Informationen können Sie sich gerne an uns wenden!