

TE 10000 kg - 6 m/min, low voltage control with frequency inverter



Electric winch 10000 kg. Range of electric winches with a large winding capacity allowing them to address a wide range of uses. For lifting applications.

Use:

- Lifting applications
- Industry
- Building and public works
- High-rise building sites
- Load elevators

Comply with Machines directive 2006/42/EC and standard NF 14492-1.

Technical properties

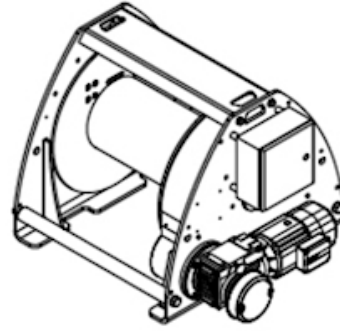
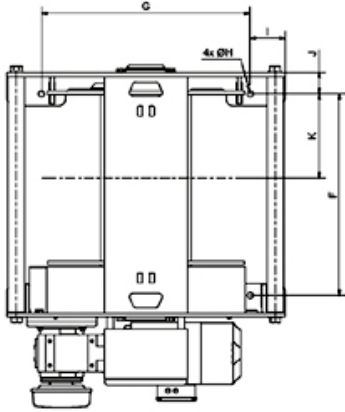
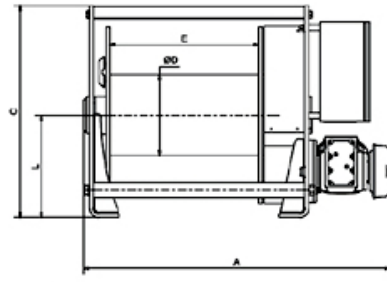
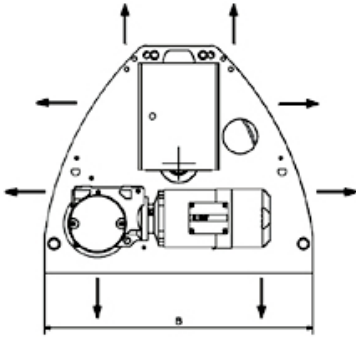
- Rugged and reliable parts.
- Wall mounting possibility.
- 400 V - 50 Hz three-phase motor. IP 54 Protection . P = 11 kW.
- Low voltage control protects the user from electrical risks. It makes it possible to operate a wide range of options: from limit switch to radio control, including a load limiter and a rope slack switch...
- Reliable electric and electronic components.
- Limit switch obligatory when lifting.
- Sealed electrical unit on the winch model with frequency inverter consisting on: frequency inverter, braking resistance, not disconnectable pendant control with potentiometer (3 m of cable).
- Adjustable speed from 10 % to 100 % with potentiometer.
- Acceleration and deceleration programming tables. According to use, speed programming.
- Reducers : bronze wheel and wormgear in oil bath. Secondary reducer for gears under cover.
- Standard drum length: 600 mm. Other length of drum possible for this model: 300 mm (optional).
- Numerous rope outlets.
- Options available: rope-press roller, grooved drum, multirope grooved drum, special paint, phases detector, lower chassis, chassis for telescopic arm loaders, tubular protection, timer, tarpauline cover...

Technical characteristics of TE 10000 kg - 6 m/min, low voltage control with frequency inverter

References	TE10000S6VV
Capacity 1st layer kg	14230
Capacity top layer kg	10000
Nb of layers	5
Wire rope cap. 1st layer m	40
Max. rope capacity m	265
Wire rope Ø mm	24
Adjustable speed 1st layer m/min	0,4-4,2
Adjustable speed top layer m/min	0,6-6
FEM	1Bm
Motor kW	11
Power	3Ph-400V
Weight (without wire rope) kg	1950

Dimensions

References	TE10000S6VV
A mm	1659
B mm	1240
C mm	1295
D mm	394
E mm	800
F mm	1216
G mm	1000
I mm	120
J mm	50
K mm	555
L mm	662



Technical characteristics of the other models of the range



HUCHEZ's advice

Large winding capacity, robustness, numerous rope outlets possibilities and options. The modular design of the TE-Serie allows easy and economical adaptation to your specific needs: drum length on request, rope slack switch and rope-press roller easily adjustable.



HUCHEZ
4, rue Michel HAMMID
60420 FERRIERES – France
☎ +33 (0) 3 44 51 11 33
🌐 www.huchez.com
✉ contact@huchez.fr



SERVICE CLIENTS
ATENCIO AL CLIENTE
KUNDENSERVICE



Pour en savoir plus, n'hésitez pas à nous contacter!
To know more, please contact us!
Para más información, póngase en contacto con nosotros!
Für weitere Informationen können Sie sich gerne an uns wenden!