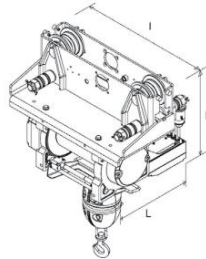


Push manual trolleys for TRBoxter from 250 to 500 kg



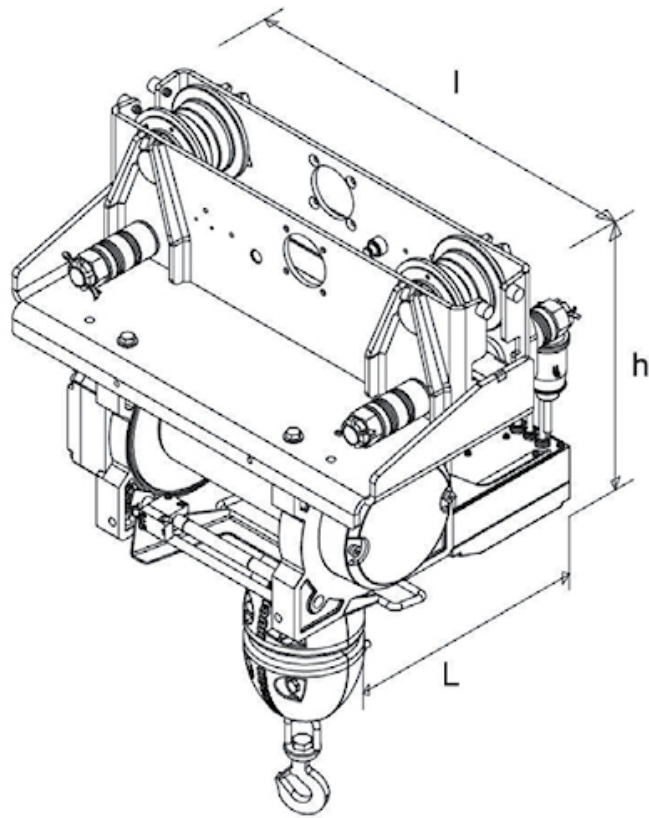
- Range of travel trolleys allowing the use of Huchez manufactured winches on jib cranes or rails of type IPE, IPN, HEB...
- Compatible winches: TRBoxter 250 and 500 kg.
- Solution allowing to benefit of the maximum lifting heights of the winches.
- Manual push trolley.

Technical properties

- All our trolleys are equipped with an upper travel stop fork.
- Counterweight for cable included.
- Lifting and travel functions on the pendant control 3 meters control cable (contact us for other lengths).
- Optional travel limit switch.

Technical characteristics of Push manual trolleys for TRBoxter from 250 to 500 kg

References	BOX0.5 L Trolle
Total weight (winch included)	116 kg
Dimensions (L x w x h) mm	545 x 550 x 575
Lost height under beam in mm	760
Beam width in mm	60-250
Trolley speed	
Winch range	TRBoxter(L) 250-500



Technical characteristics of the other models of the range

References	BOX0.5 L Trolley	BOX1.5 L Trolley	BOX0.5 E Trolley	BOX0.5 E Trolley
Total weight (winch included)	116 kg	204 kg	136 kg	224 kg
Dimensions (L x w x h) mm	545 x 550 x 575	400 x 610 x 750	585 x 550 x 575	600 x 610 x 750
Lost height under beam in mm	760	915	760	915
Beam width in mm	60-250	75-250	60-250	75-250
Trolley speed			20 m/min	14 m/min
Winch range	TRBoxter(L) 250-500	TRBoxter(L) 600-1500	TRBoxter(L) 250-500	TRBoxter(L) 600-1500



HUCHEZ
 4, rue Michel HAMMID
 60420 FERRIERES – France
 ☎ +33 (0) 3 44 51 11 33
 🌐 www.huchez.com
 ✉ contact@huchez.fr



SERVICE CLIENTS
 ATENCIO AL CLIENTE
 KUNDENSERVICE



Pour en savoir plus, n'hésitez pas à nous contacter!
 To know more, please contact us!
 Para más información, póngase en contacto con nosotros!
 Für weitere Informationen können Sie sich gerne an uns wenden!