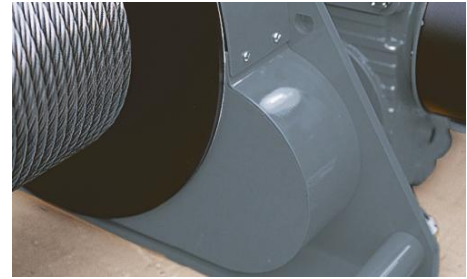


TT 2500 kg - 6 m/min



Electric winch 2500 kg. Range of electric winches with a large winding capacity allowing them to address a wide range of uses. For pulling/hauling applications only.

Use:

- Pulling/Hauling applications only
- Industry
- Building and public works
- Launch of bridges
- Rail: moving wagons or trains
- Heavy loads pulling
- Conveyor belt tensioning

Made in France. Comply with Machines directive 2006/42/EC.

Technical properties

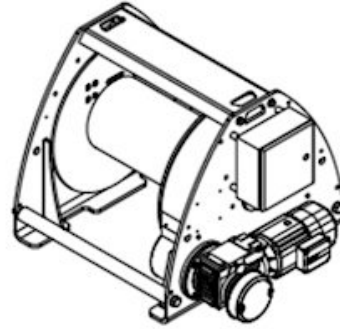
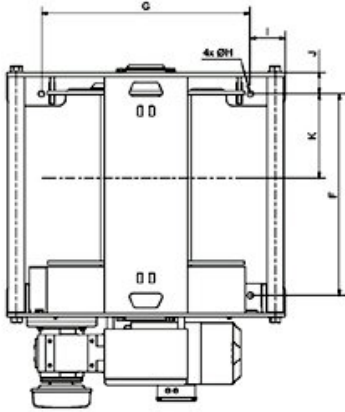
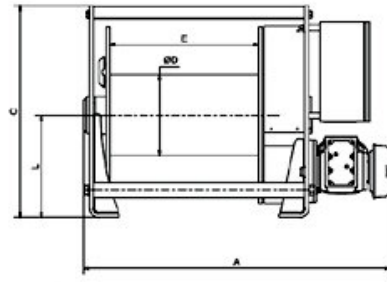
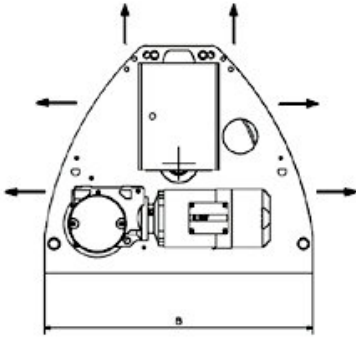
- Wall mounting possibility.
- Steel mechano-welded structure shot-blasted and painted.
- Asynchronous motor in horizontal position. IP 54 Protection.
- Automatic lack of current brake.
- Bevel gear reducers and spur gears.
- Secondary spur gear reducer.
- 400 V - 50 Hz three-phase motor. Other tensions on request.
- Manual drum release when no load, ergonomic and secure.
- Electric control box mounted on the winch included.
- Low voltage control protects the user from electrical risks: model with frequency inverter (VV). 1 speed models (BT) available.
- 3 buttons pendant control (Wind - Unwind - Emergency stop), not removable with potentiometer (3 m long cable).
- Rugged and reliable parts.
- Thermal circuit breaker.
- Standard drum length: 600 mm. Other drum dimensions on request.
- Numerous options and rope outlet possibilities available: bottom frame, tubular protection, radio control... : consult us.

Technical characteristics of TT 2500 kg - 6 m/min

References	TT2500S06VV
Capacity 1st layer kg	2500
Capacity top layer kg	2000
Nb of layers	5
Wire rope cap. 1st layer m	50
Max. rope capacity m	310
Wire rope Ø mm	11.5
Maxi. speed 1st layer m/min	0.6-6
Maxi. speed top layer m/min	0.5-5
Motor kW	2.2
Power	3Ph-400V
Weight kg	670

Dimensions

References	TT2500S06VV
A mm	On request
B mm	1000
C mm	973
D mm	Ø 324
E mm	600
F mm	725
G mm	750
H mm	4 x Ø22
I mm	125



Technical characteristics of the other models of the range



HUCHEZ's advice

Strong points: A large winding capacity allowing them to address a wide range of uses. Reliability, numerous options available. Manual drum release when no load ergonomic and secure.



HUCHEZ
4, rue Michel HAMMID
60420 FERRIERES – France
☎ +33 (0) 3 44 51 11 33
🌐 www.huchez.com
✉ contact@huchez.fr



SERVICE CLIENTS
ATENCIO AL CLIENTE
KUNDENSERVICE



Pour en savoir plus, n'hésitez pas à nous contacter!
To know more, please contact us!
Para más información, póngase en contacto con nosotros!
Für weitere Informationen können Sie sich gerne an uns wenden!